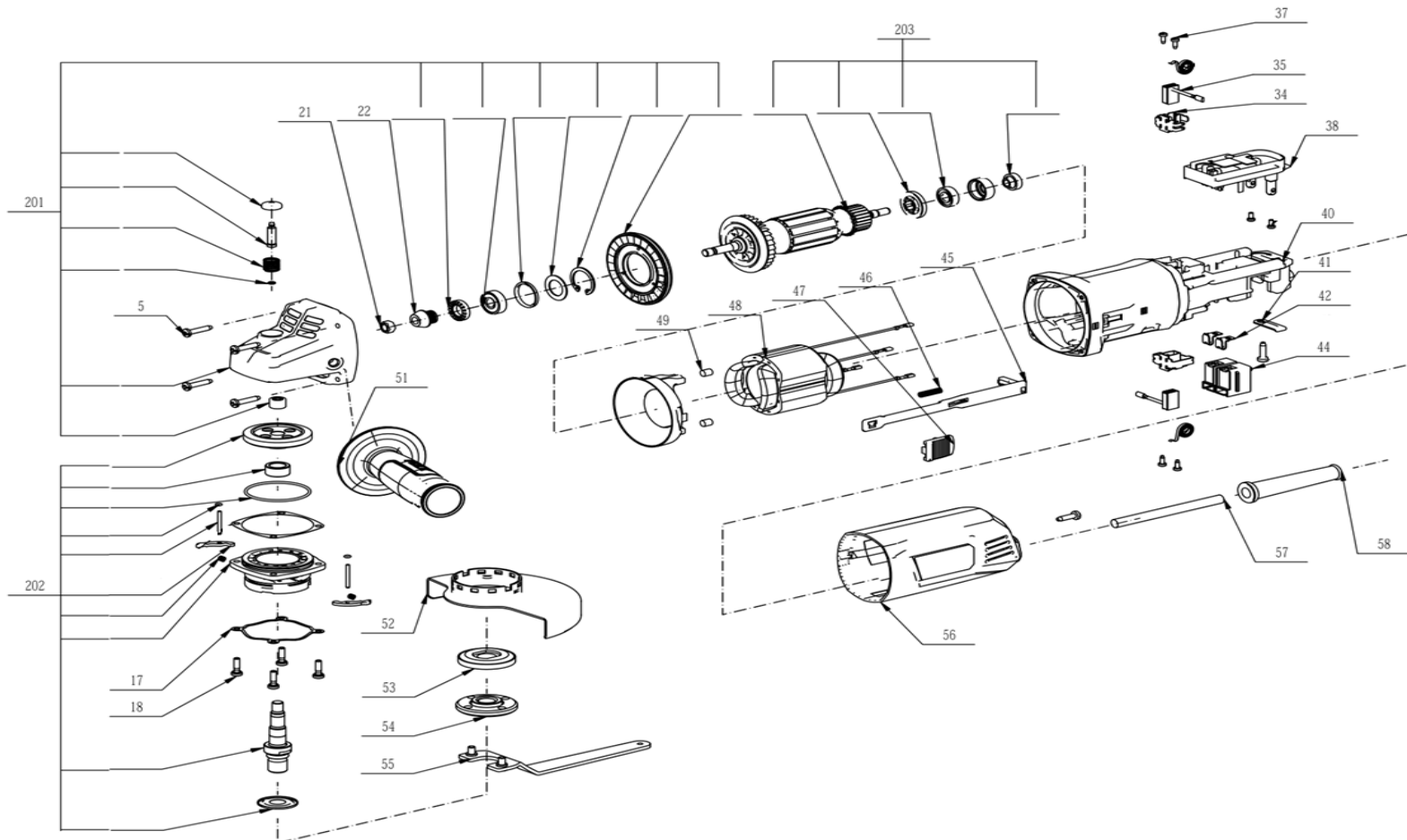


FLEX

Product Description: Angle Grinder
Model Number: L 10-11 125
Body Number: 0580187002
Version: A
Issue Date: 2020/03/26



No.	Product Model#	Part Number	Description	Qty
5	L 10-11 125	5610284001	Tapping Screw	4
17	L 10-11 125	3705843001	Wave Washer	1
18	L 10-11 125	5620360003	Trilobular Screw	4
21	L 10-11 125	5630224002	Nut	1
22	L 10-11 125	3551562001	Pinion	1
34	L 10-11 125	2800221001	Brush Holder ASSY	2
35	L 10-11 125	4960324001	Carbon Brush with safety fuse	2
37	L 10-11 125	5610283001	Tapping Screw	4
38	L 10-11 125	2830313001	Electric Assembly	1
40	L 10-11 125	3128638001	Front Housing	1
41	L 10-11 125	3704866001	Cord Anchorage	1
42	L 10-11 125	4930566001	Terminal	2
44	L 10-11 125	4870571003	Push Switch	1
45	L 10-11 125	3128639001	Switch Actuator	1
46	L 10-11 125	3660037001	Spring	1
47	L 10-11 125	3128008001	Switch Button	1
48	L 10-11 125	2740403002	Stator	1
49	L 10-11 125	3121006001	Rubber Insert	2
51	L 10-11 125	2824170001	Auxiliary Handle ASSY	1
52	L 10-11 125	3705835001	Guard	1
53	L 10-11 125	2820067001	Inner Flange	1
54	L 10-11 125	3550109002	Outer Flange	1
55	L 10-11 125	3700583004	Wrench	1
56	L 10-11 125	2825414004	Rear Cover with label	1
57	L 10-11 125	4810003157	Power Cord & Plug	1
58	L 10-11 125	3121064001	Cord Guard	1
201	L 10-11 125	2824804001	Gear Case ASSY	1
202	L 10-11 125	2826339001	Spindle ASSY	1
203	L 10-11 125	2824802002	Rotor Set	1